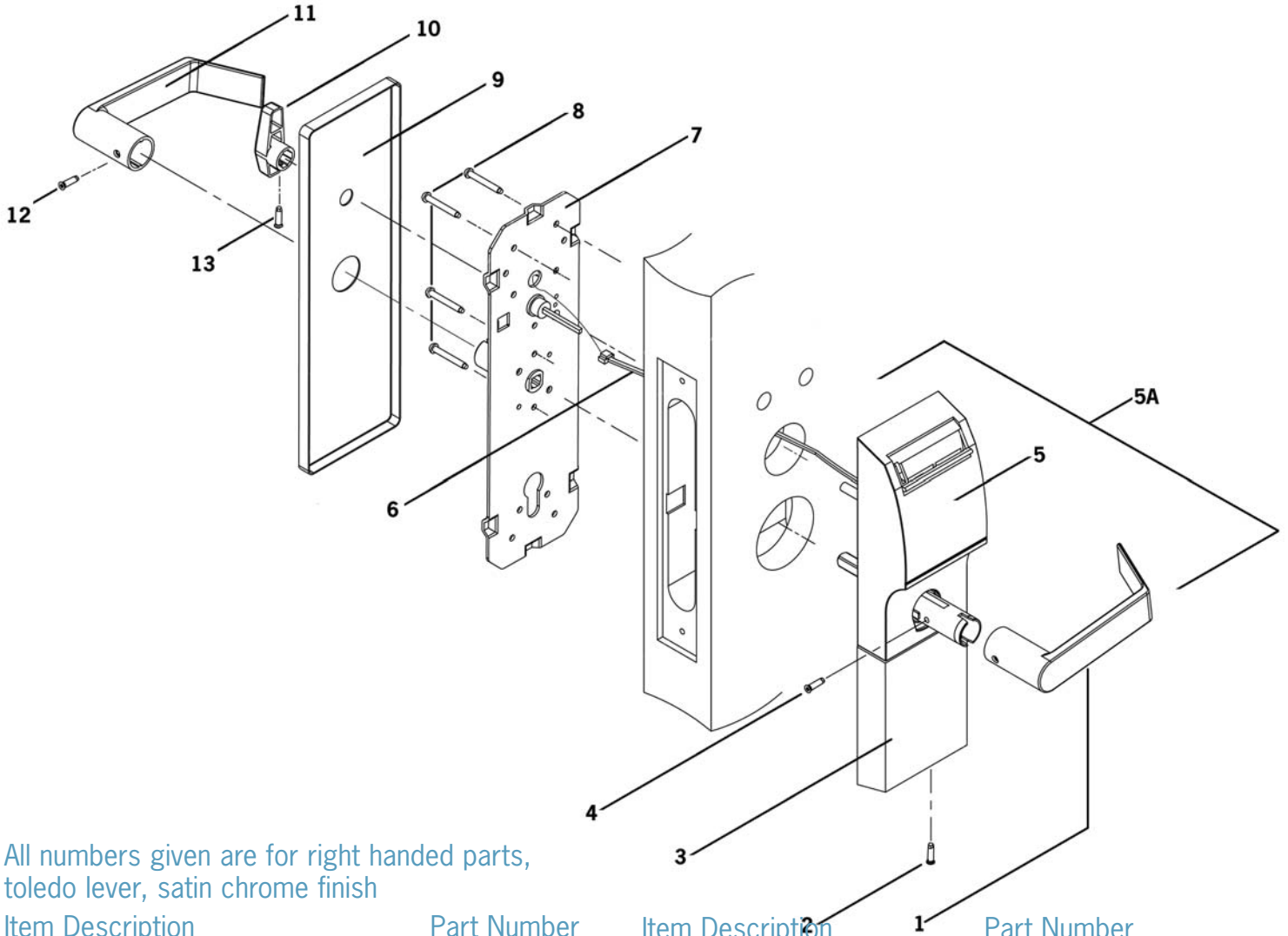


Item Description	Part Number
A Privacy Cable	QH 200 700
B Weather Gasket	QH 300 560
C Back Plate Standard	QH 200 860
D Clutch Cover Gasket (comes with Weather Gasket)	QH 300 560
E Clutch Kit	QH 200 940
F Nylon Bearing	QH 200 560
G Handle Return Plate	QH 300 300

Item Description	Part Number
H Circuit Board (HT24)	RH 100 163
Circuit Board (HT28)	RD 300 100
I Spring Assembly	QH 200 580
J Reader Module (HT24)	RH 100 120
Reader Module (HT28)	RD 300 120
K Battery Cover Gasket	QH 200 540
L Battery Module Cover (plastic insulator)	QH 200 520
M Battery Module	RH 100 100



All numbers given are for right handed parts,  
toledo lever, satin chrome finish

### Item Description

### Part Number

- 1** Outside Lever (Handle)  
(includes Outside Lever Mounting Screw)
- 2** Battery Cover Mounting Screw
- 3** Battery Cover
- 4** Outside Lever Mounting Screw
- 5** Reader Cover
- 5A** Outside Trim (1/2 Lock)  
(comes with Internal Components,  
Reader Cover, Battery Cover and Lever)

- JH 400 480
- XS 400 440
- JC 200 820
- XS 400 440
- JC 200 680
- LM 200 420

### Item Description

### Part Number

- 6** Privacy Cable
- 7** Mounting Plate
- 8** Mounting Screws (pk)
- 9** Inside Escutcheon
- 10** Thumb Turn
- 11** Inside Lever (Handle)
- 12** Inside Lever Mounting Screw
- 13** Thumb Turn Screw

- QH 200 700
- QH 200 900
- XS 400 540
- JE 300 200
- JH 400 220
- JH 400 580
- XS 400 420
- XS 400 420